

Precast Drainage Structure Stake Out Manual VDOT DI-3,4 Inlets



the precast concrete association of virginia

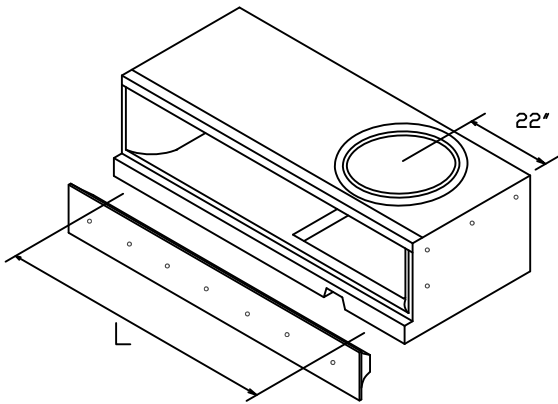
WWW.GOPCAV.COM

The Precast Concrete Association of Virginia is pleased to present the enclosed stake out methods for installing precast drainage structures. These stake out methods were developed by the producer members of the PCAV with the recommendations of the Virginia Department of Transportation.

The purpose of these stake out methods is to provide simple, accurate, and consistent instruction for installers of precast drainage structures. These stake out methods provide the information necessary for the proper alignment between centerline of precast base unit, precast top unit, and curb line. The precast producer will provide the completed "Stake Out Data Sheet" (see enclosed) to the installer. The installer will then reference the data to the pertinent stake out charts to find the proper alignment.

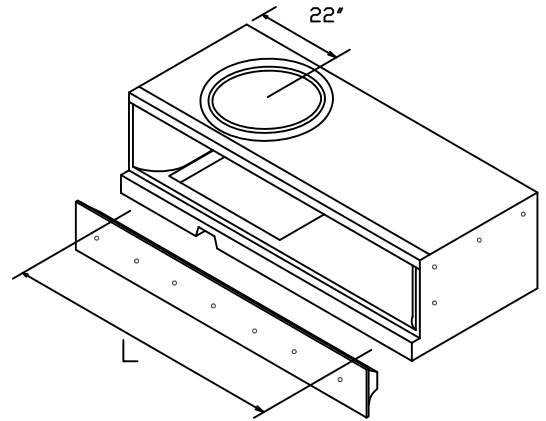
These stake out methods are for use in typical situations. Should there be an unusual situation, the precaster will provide special instructions.

We hope that the contents of this manual are helpful to you in understanding the stake out methods. You should remember, however, that every project involves a unique set of site conditions and circumstances. You may need to consult your project manager and/or VDOT plans and specifications to make sure that the particular method described in this manual is appropriate for the circumstances involved in your project.



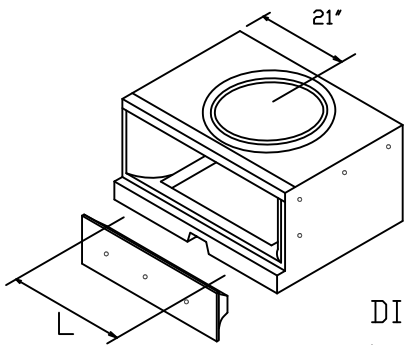
DI-3B RIGHT

L=6',8',10',12',14',16',18',20'

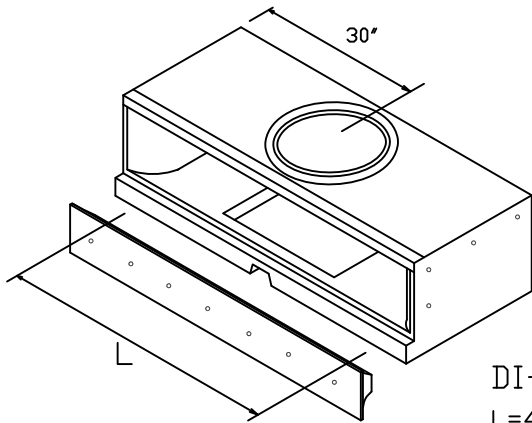


DI-3B LEFT

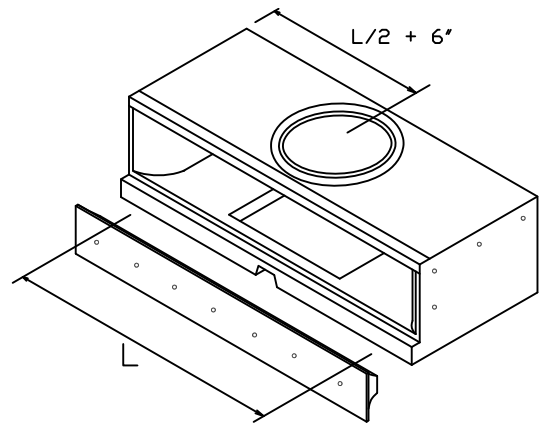
L=6',8',10',12',14',16',18',20'



DI-3A
L=2'-6"

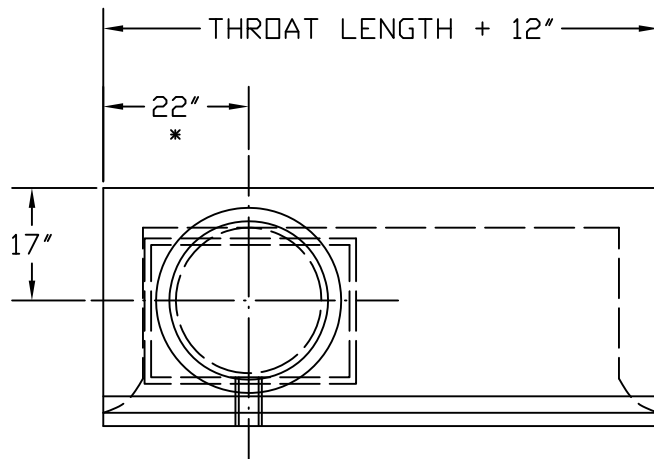


DI-3B
L=4'

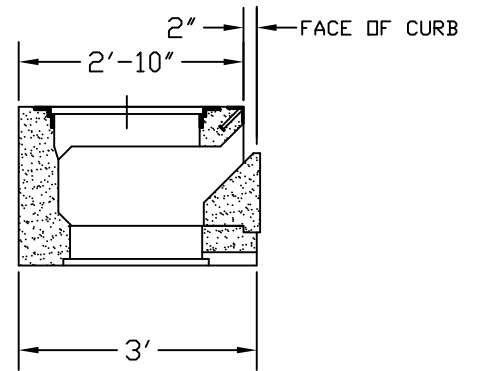


DI-3C

L=6',8',10',12',14',16',18',20'

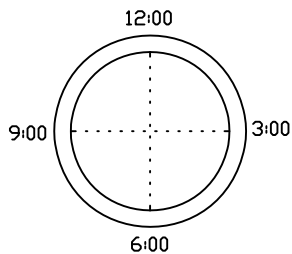


PLAN

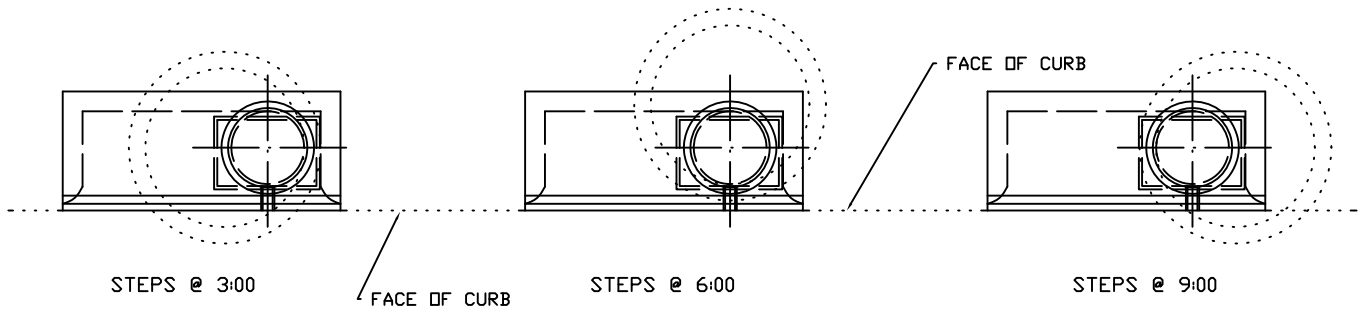


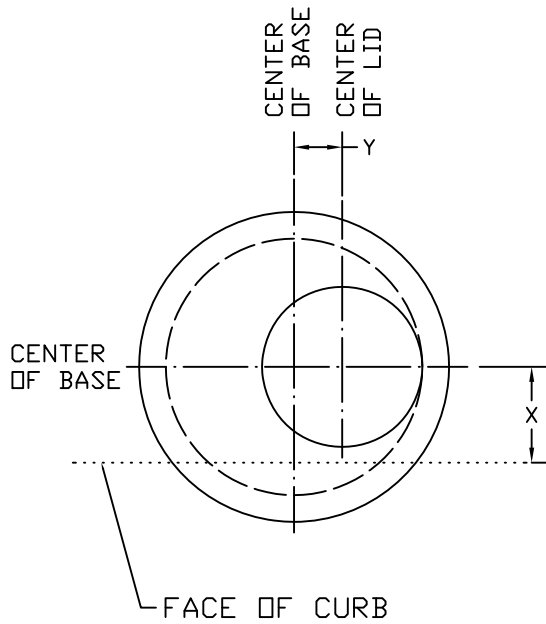
SECTION

* DIMENSION FOR LEFT THROAT SHOWN
 22" DIMENSION ON OPPOSITE SIDE FOR RIGHT THROAT
 DIMENSION = HALF OF THROAT LENGTH + 6' FOR CENTER THROAT



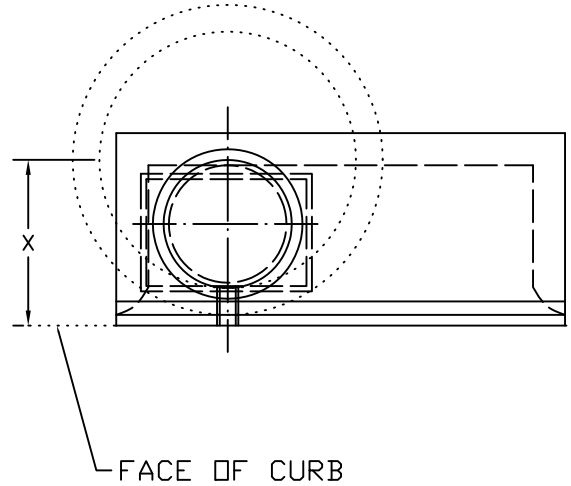
THROAT DIRECTION AND STEP LOCATION IS DETERMINED BY STANDING IN THE STREET AND LOOKING AT THE THROAT
 EXAMPLE: GUTTER FLOW FROM LEFT TO RIGHT WOULD BE A RIGHT THROAT



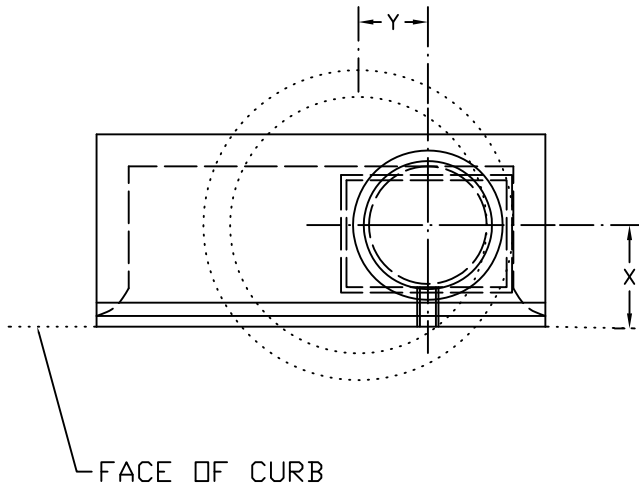


X = OFFSET FROM FACE OF CURB TO CENTER OF BASE
 Y = OFFSET FROM CENTER OF LID TO CENTER OF BASE

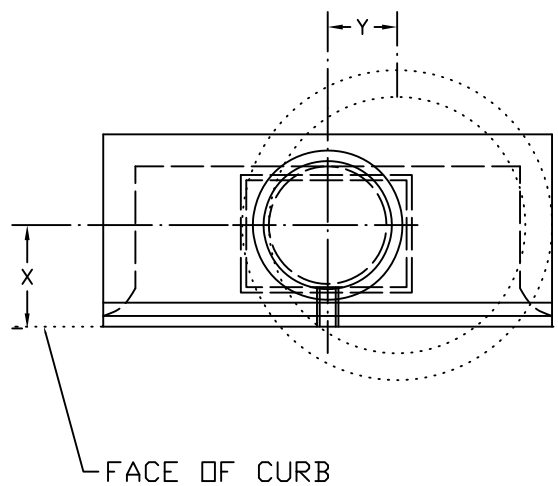
EXAMPLE:
 DI-3B (LEFT THROAT)
 6:00 POSITION



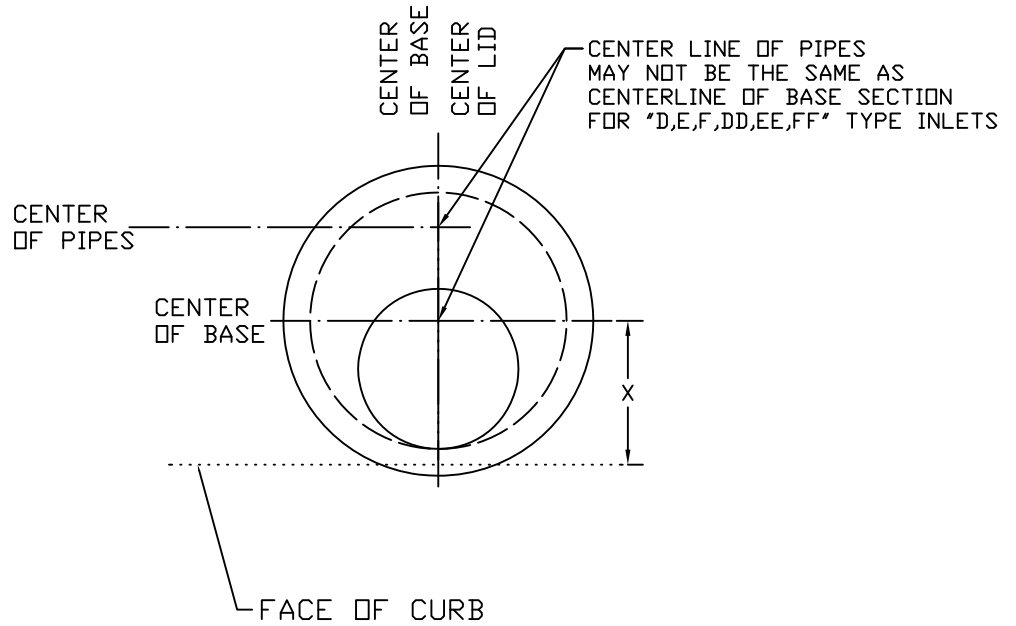
EXAMPLE:
 DI-3B (RIGHT THROAT)
 3:00 POSITION



EXAMPLE:
 DI-3C (CENTER THROAT)
 9:00 POSITION

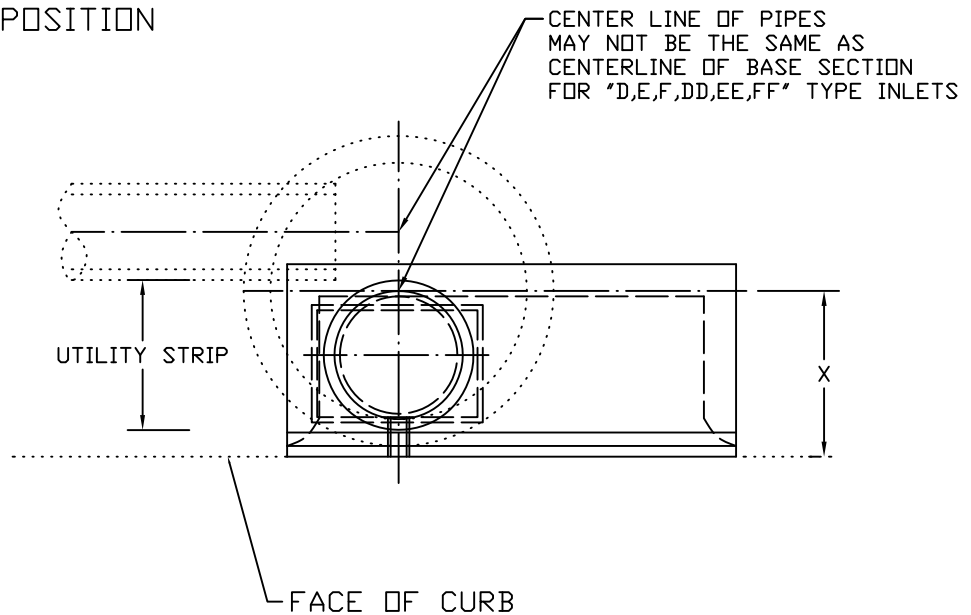


X = OFFSET FROM FACE OF CURB TO CENTER OF BASE



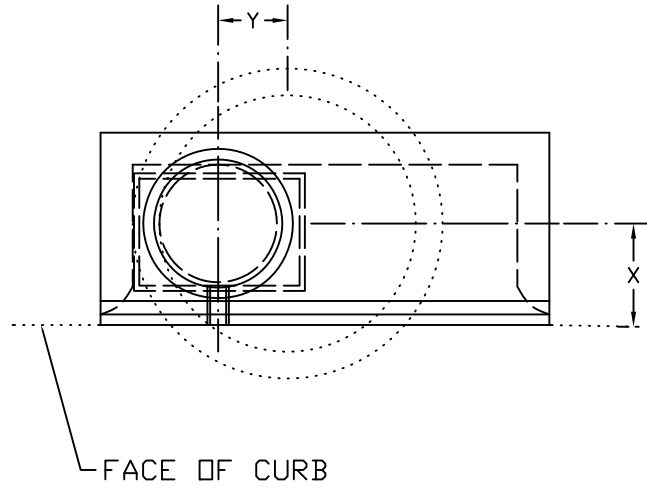
DI-3D,3E,3F,3DD,3EE,3FF,4D,4E,4F,4DD,4EE,4FF

EXAMPLE:
DI-3E (LEFT THROAT)
6:00 POSITION

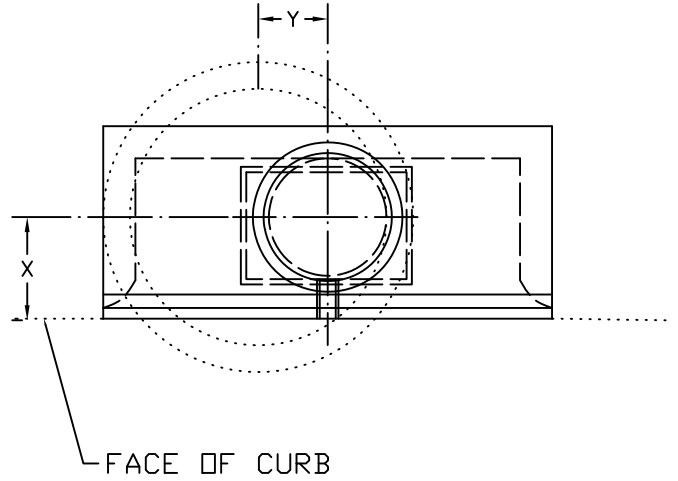


DI-3D,3E,3F,3DD,3EE,3FF,4D,4E,4F,4DD,4EE,4FF

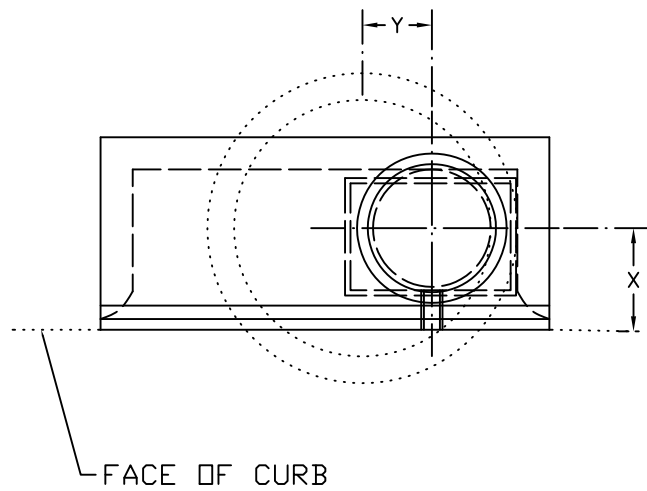
EXAMPLE:
DI-3B (LEFT THROAT)
9:00 POSITION



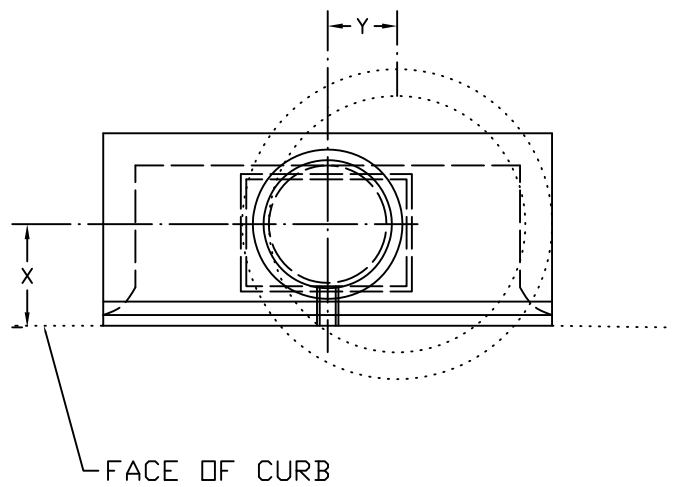
EXAMPLE:
DI-3C (CENTER THROAT)
3:00 POSITION



EXAMPLE:
DI-3B (RIGHT THROAT)
3:00 POSITION



EXAMPLE:
DI-3C (CENTER THROAT)
9:00 POSITION



Stake out information

Y = Offset from center of 20 in x 30 in opening to center of base

X = Offset from face of curb to center of base

Base Diameter	20x30 Location	X Dimension	Y Dimension
32 in x 32 in	3:00	19 in back of F.C.	1 in Left
	6:00	19 in back of F.C.	
	9:00	19 in back of F.C.	1 in Right
36 in	3:00	19 in back of F.C.	3 in Left
	6:00	19 in back of F.C.	
	9:00	19 in back of F.C.	3 in Right
48 in	3:00	19 in back of F.C.	9 in Left
	6:00	26 in back of F.C.	
	9:00	19 in back of F.C.	9 in Right
60 in	3:00	19 in back of F.C.	15 in Left
	6:00	34 in back of F.C.	
	9:00	19 in back of F.C.	15 in Right
72 in	3:00	19 in back of F.C.	21 in Left
	6:00	40 in back of F.C.	
	9:00	19 in back of F.C.	21 in Right
84 in	3:00	19 in back of F.C.	27 in Left
	6:00	46 in back of F.C.	
	9:00	19 in back of F.C.	27 in Right
96 in	3:00	19 in back of F.C.	33 in Left
	6:00	52 in back of F.C.	
	9:00	19 in back of F.C.	33 in Right
108 in	3:00	19 in back of F.C.	39 in Left
	6:00	58 in back of F.C.	
	9:00	19 in back of F.C.	39 in Right
120 in	3:00	19 in back of F.C.	45 in Left
	6:00	64 in back of F.C.	
	9:00	19 in back of F.C.	45 in Right
126 in	3:00	19 in back of F.C.	48 in Left
	6:00	67 in back of F.C.	
	9:00	19 in back of F.C.	48 in Right
144 in	3:00	19 in back of F.C.	57 in Left
	6:00	76 in back of F.C.	
	9:00	19 in back of F.C.	57 in Right

